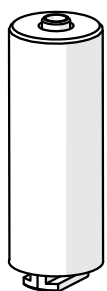
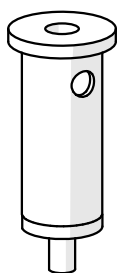
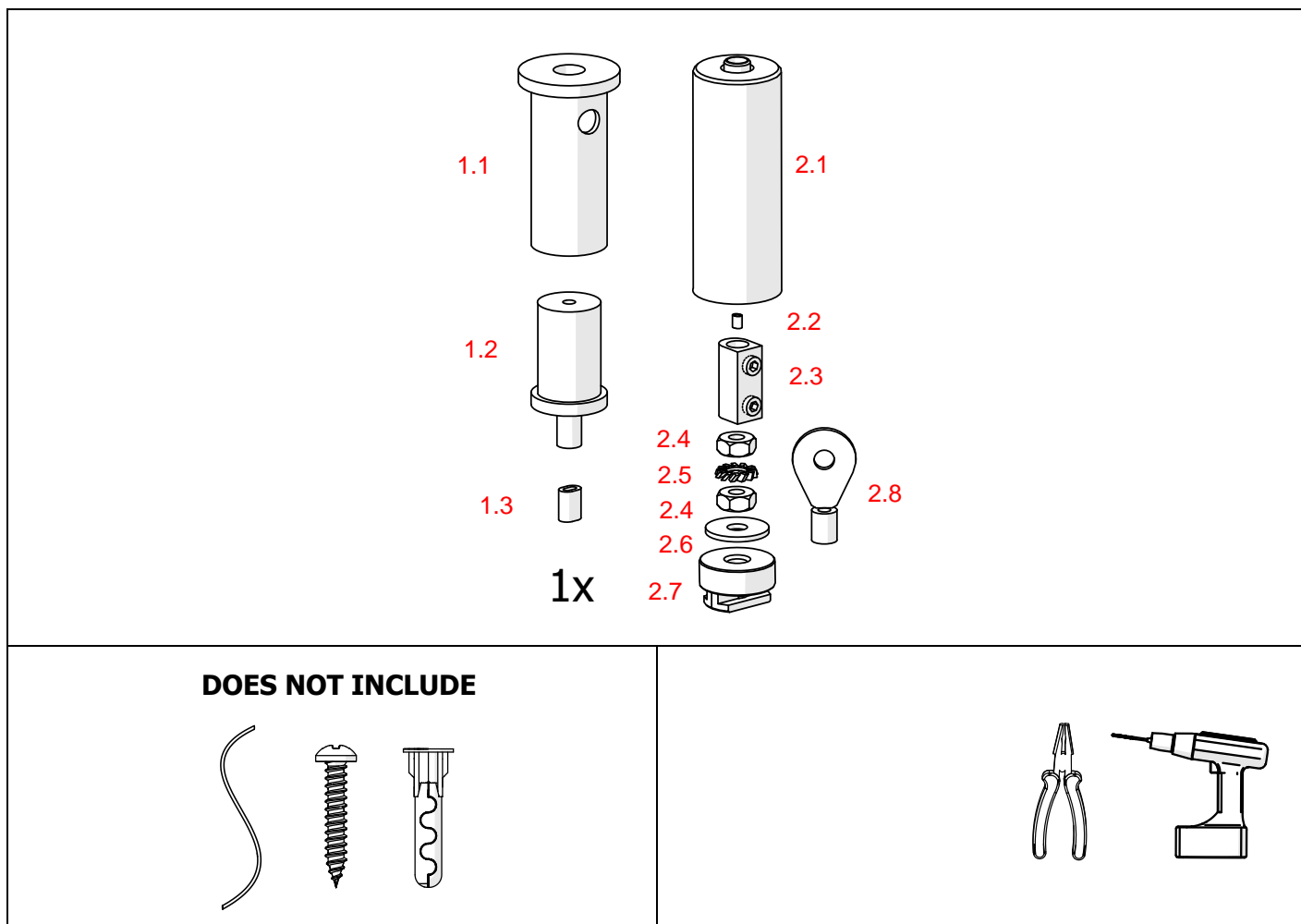


Fastener set PUSZ-ZM-2



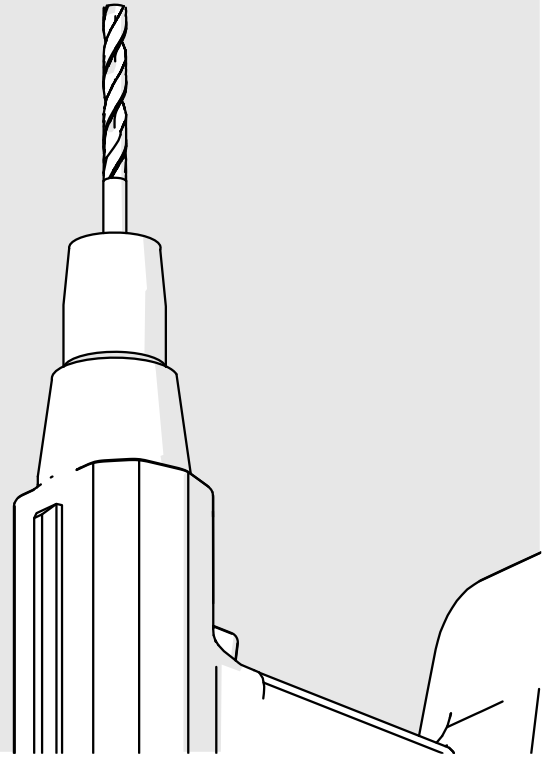
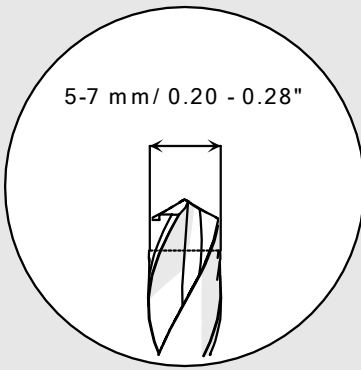


Fastener set PUSZ-ZM-2 (ref. C28131)

- 1.1 Ceiling bracket
- 1.2 Steel cable blockade
- 1.3 Sleeve for the cable clamp
- 2.1 PUSZ head
- 2.2 Sleeve for the cable clamp
- 2.3 Conductive terminal block with screws
- 2.4 Nut M3
- 2.5 Locking washer M3
- 2.6 Pad 3,2
- 2.7 PUSZ-ZM hook
- 2.8 Power connector dia. 3

IMPORTANT: Not all possible mounting procedures are presented here. More mounting procedures and related accessories can be found at www.KlusDesign.eu. Drawings in these instructions are simplified and only approximate the actual shapes.

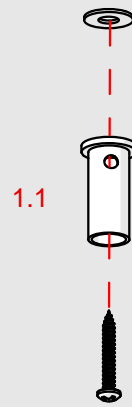
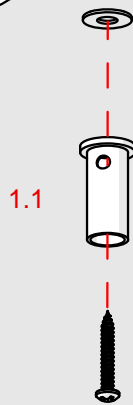
I



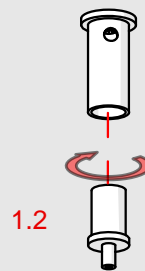
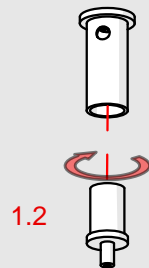
II



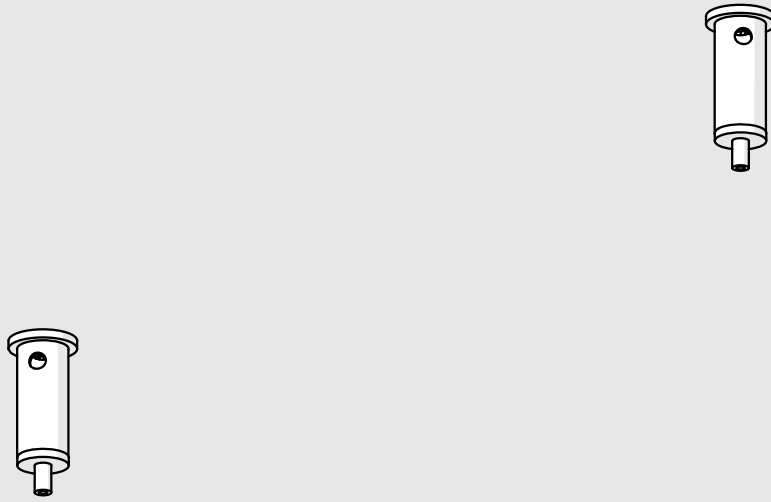
III



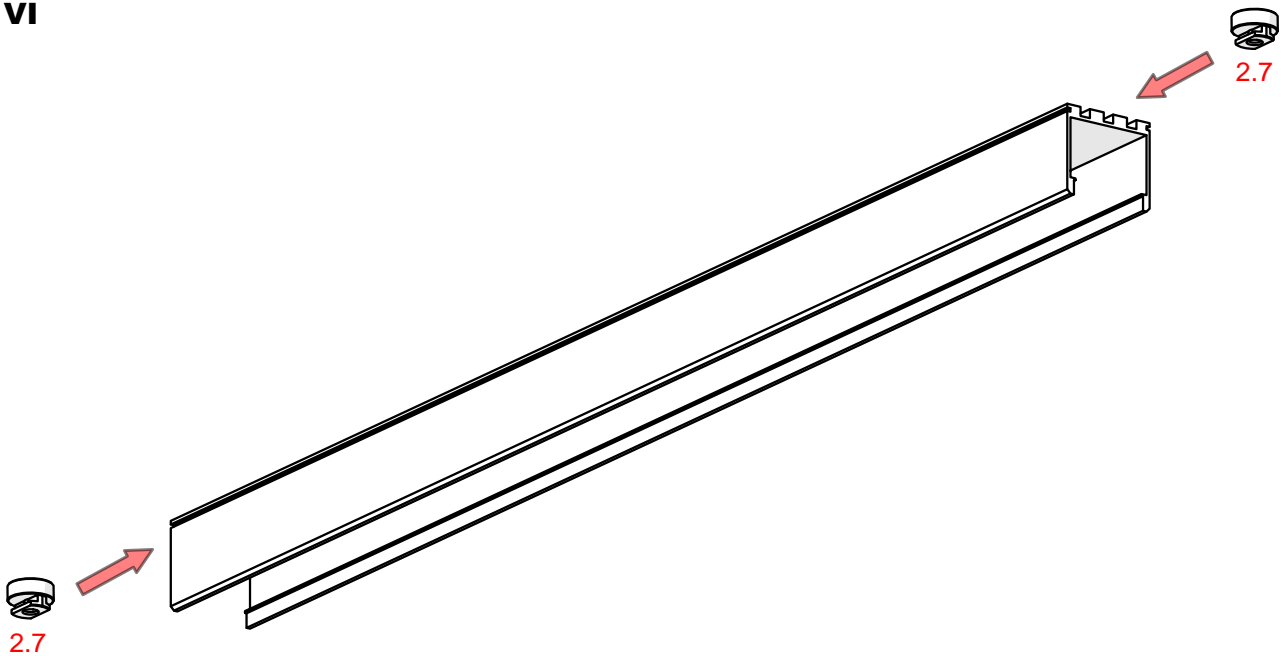
IV



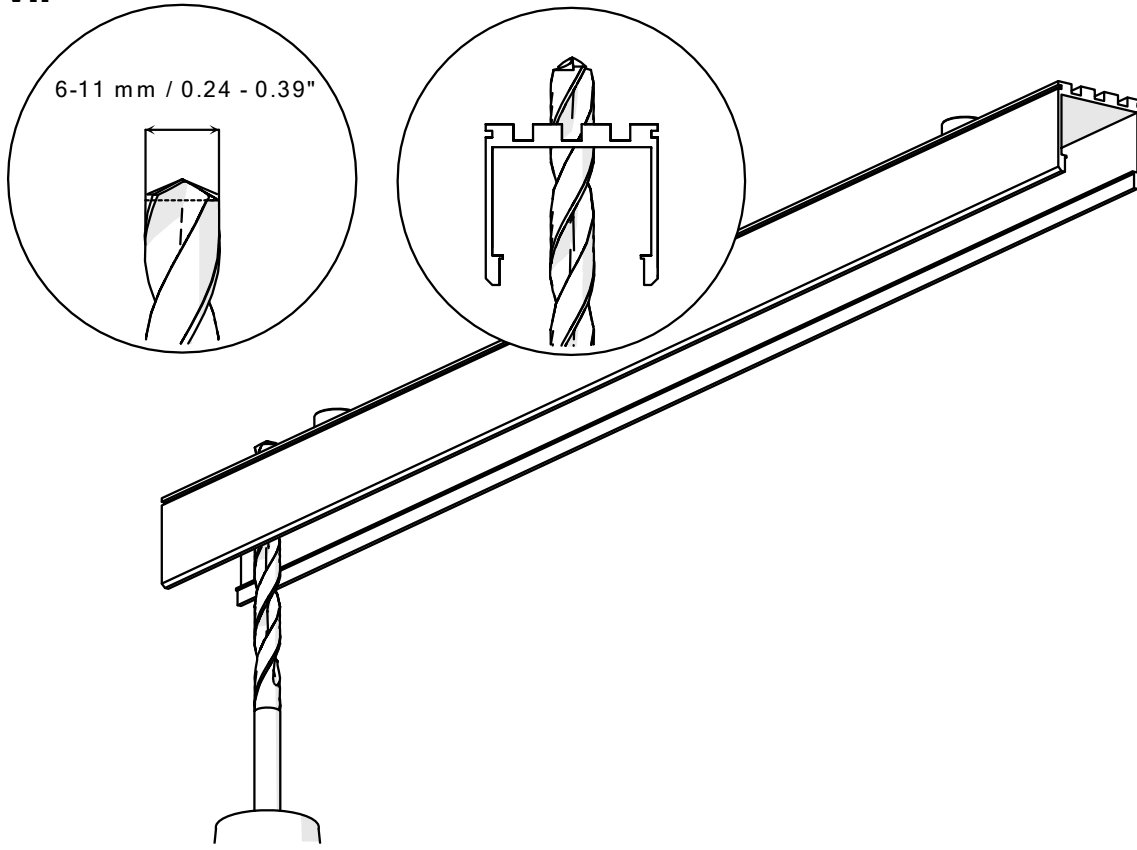
V



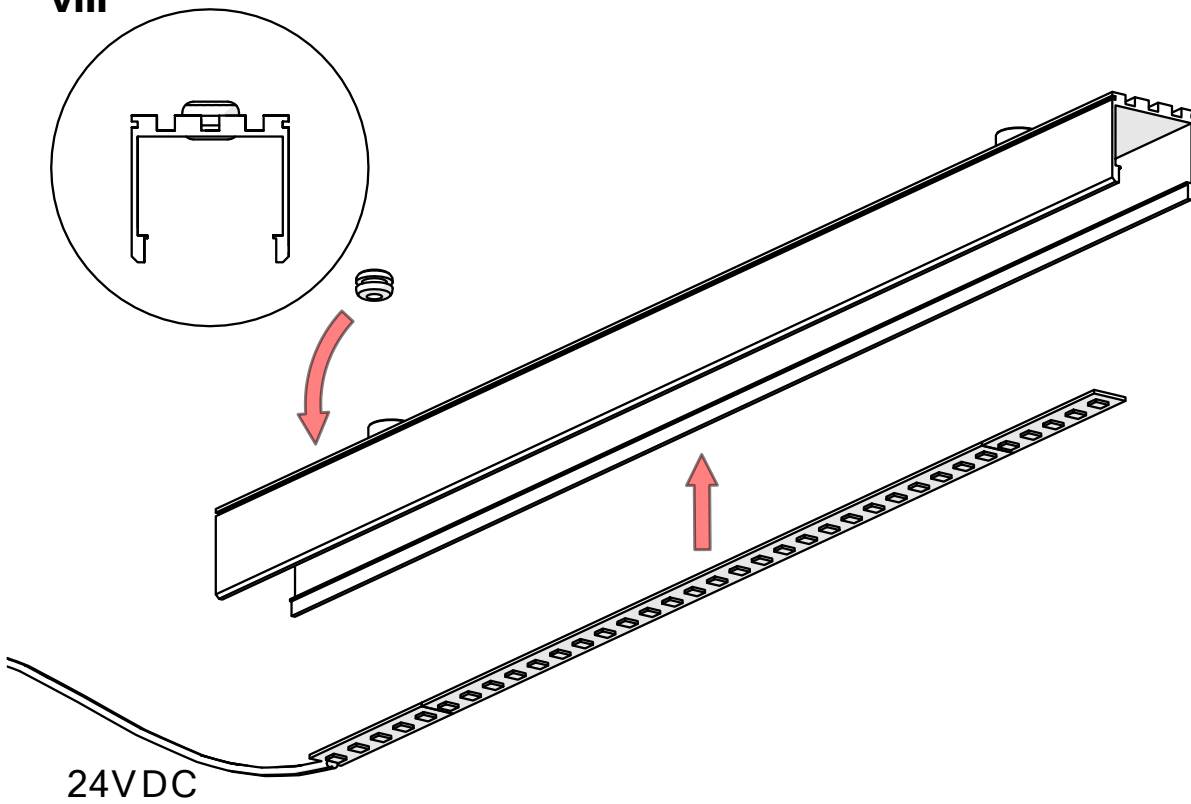
VI



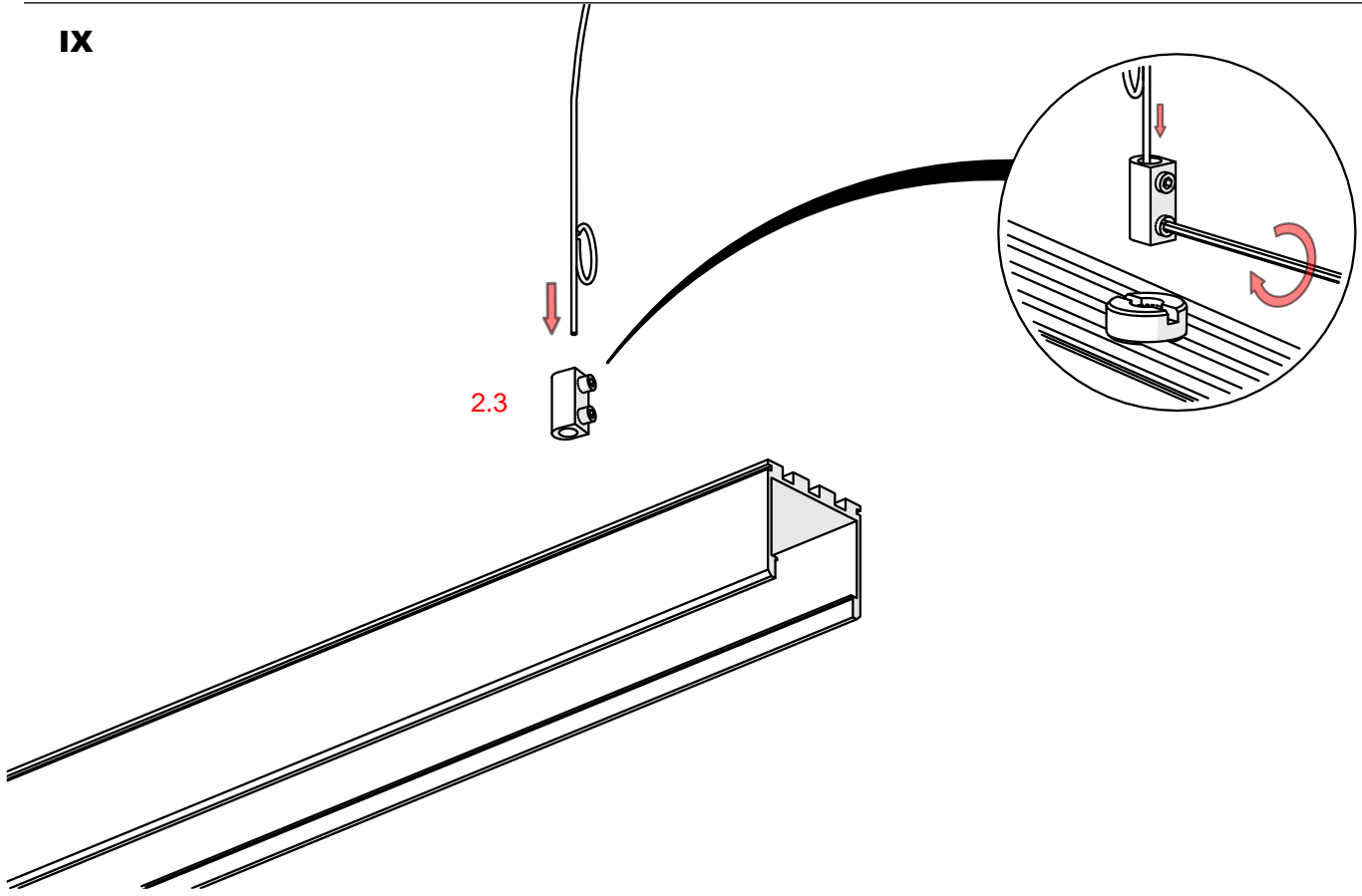
VII



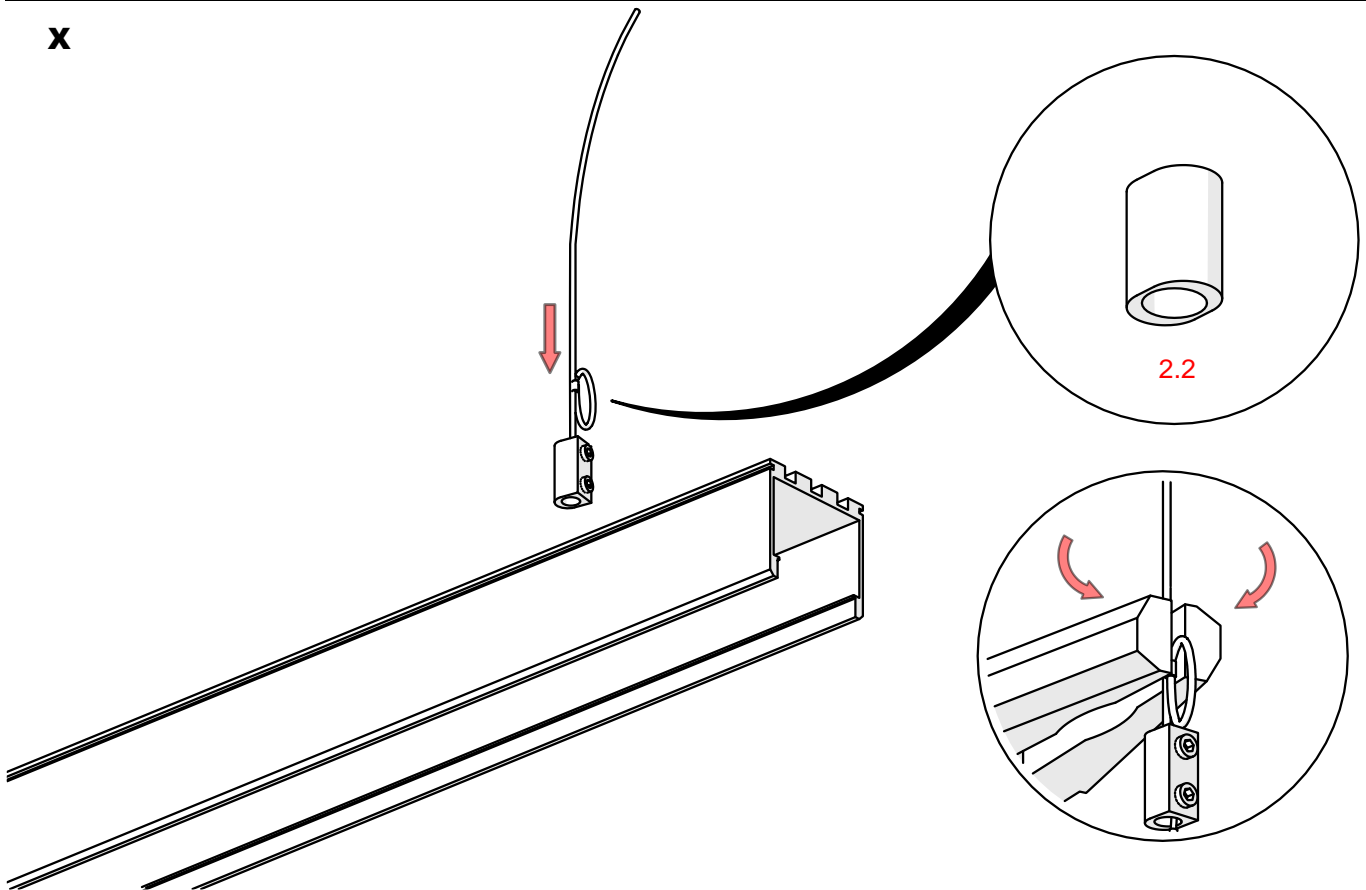
VIII



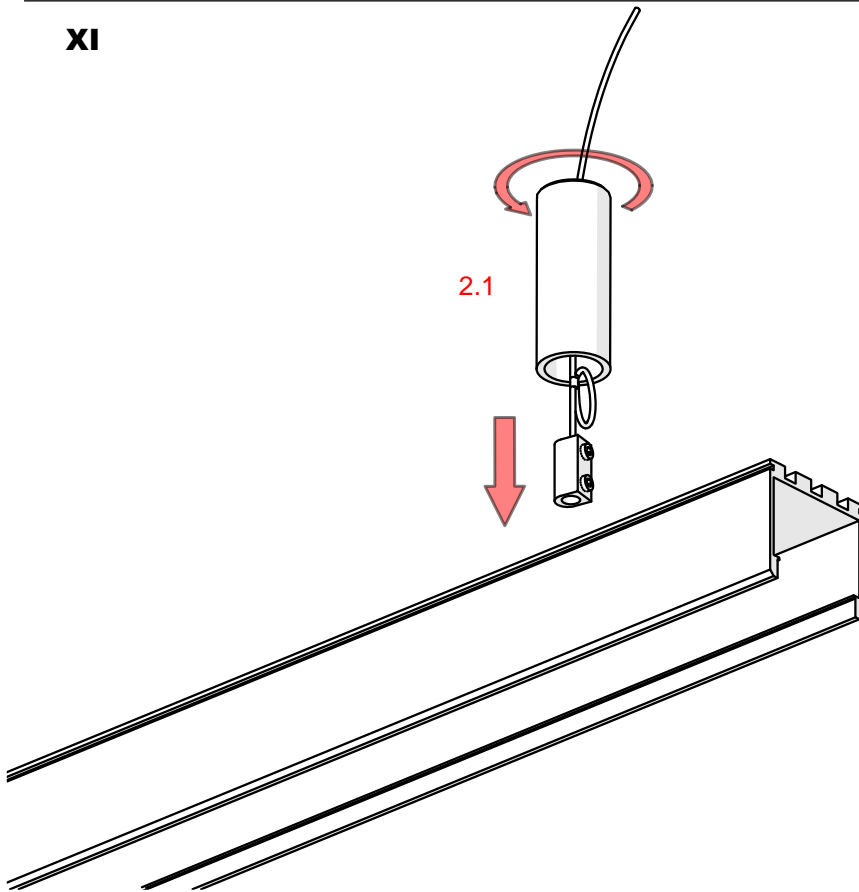
IX



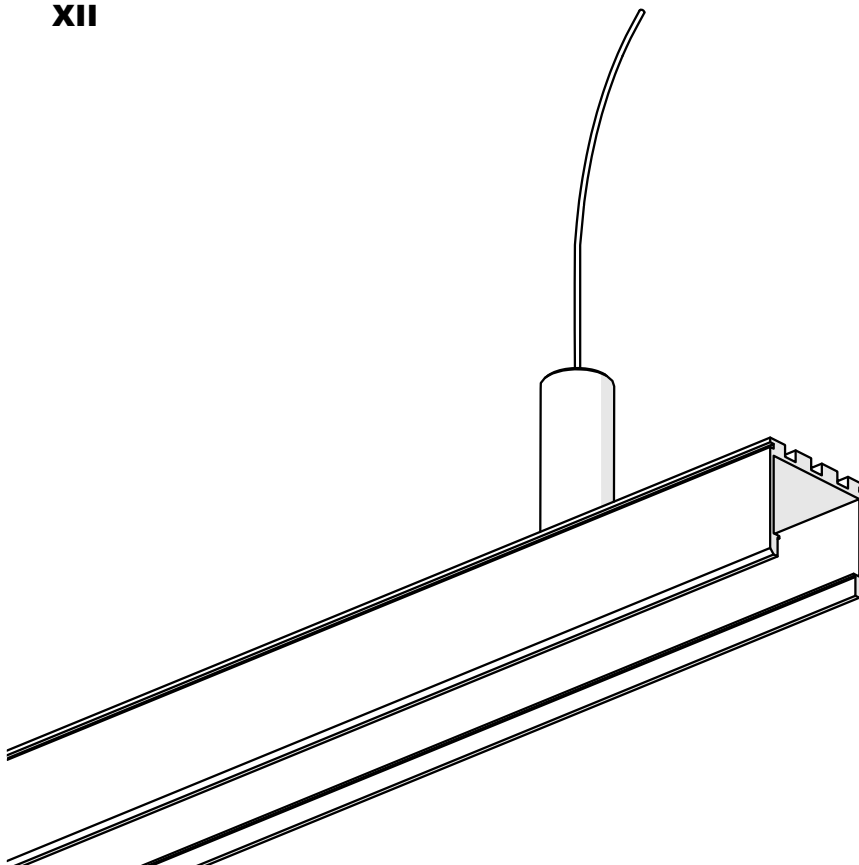
X



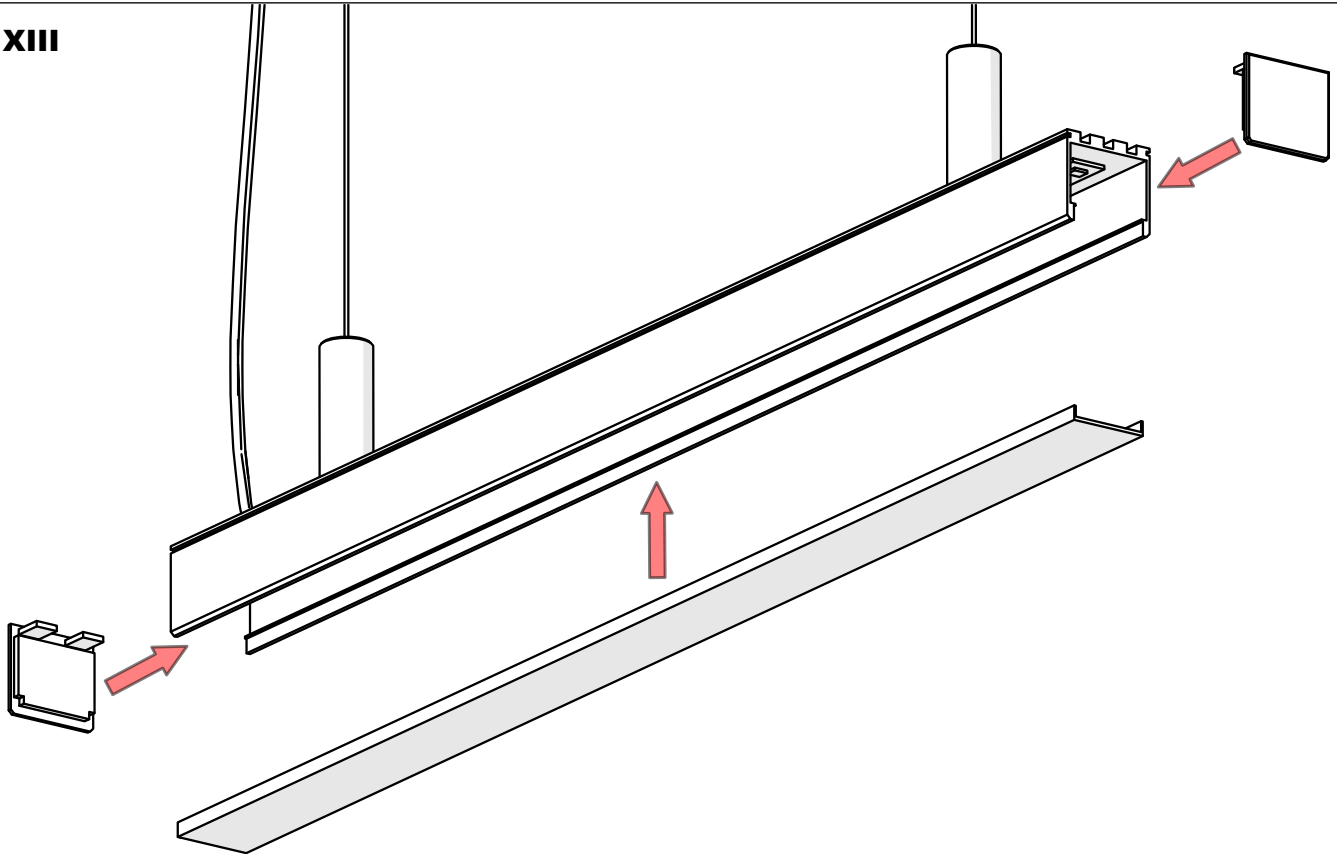
XI



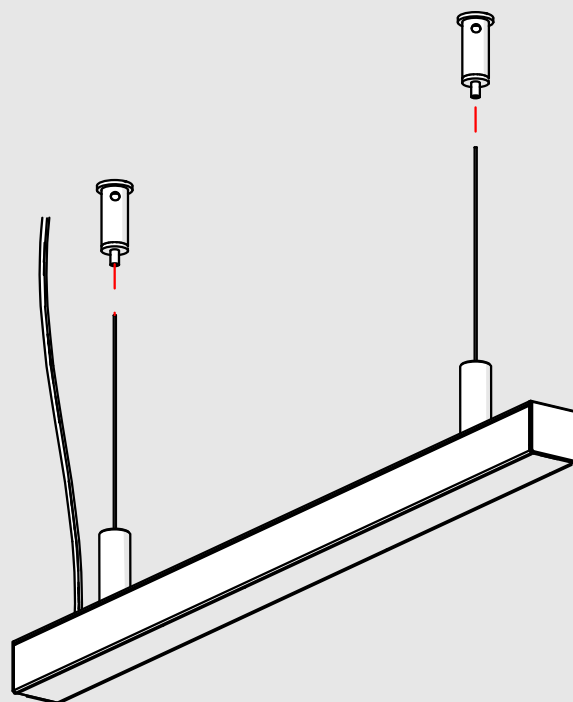
XII



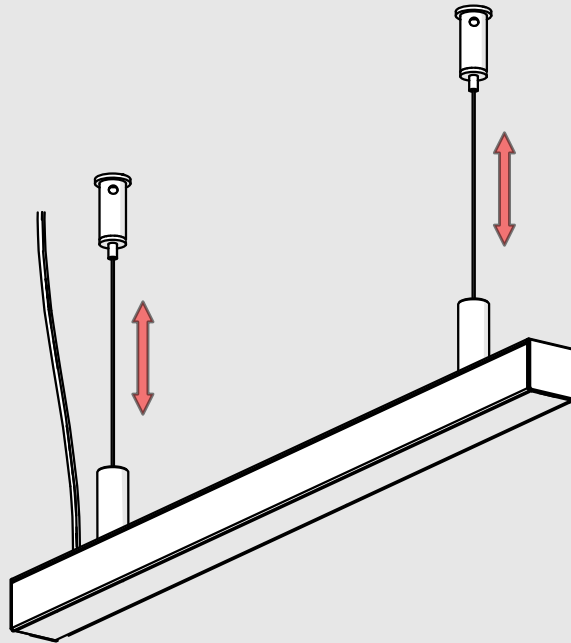
XIII



XIV



XV



XVI

