

Electricity conductive end cap PDS-4-ALU

Ref. C28257C02

Ref. arch 1407



- Single pole conductivity possible
- Transverse suspension on a rod or cable
- Possibility to rotate the fixture after installation

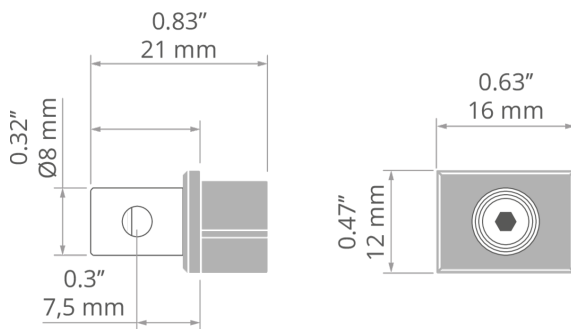
APPLICATION

- aesthetic finish and protection of the interior of the lighting fixture

MOUNTING

- to the profile, by pressing
- to a rod or cable, using a set bolt

TECHNICAL DRAWING



TECHNICAL SPECIFICATIONS

Material	ABS
Color	■ gray
Shape	rectangular
Height	8 mm
Width	21 mm
Maximum current	3.5 A

Loss of voltage	0.35 V
Working temperature	55°C
Lifting capacity	1.8 kg
Lighting angle adjustment up to	360°
Conducting electricity	yes

Electricity conductive end cap PDS-4-ALU

Ref. C28257C02

Ref. arch 1407

RELATED PROFILES > UNIVERSAL

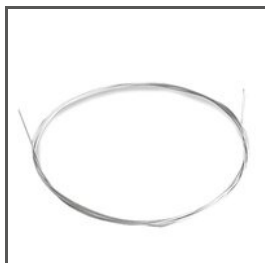


PDS-4-PLUS

A01263

Ref. arch C1263

RELATED ACCESSORIES > OTHER RELATED ACCESSORIES > WIRES AND RODS

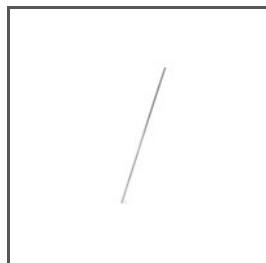


LINKA STALOWA

FI-1 1m

C24522N00

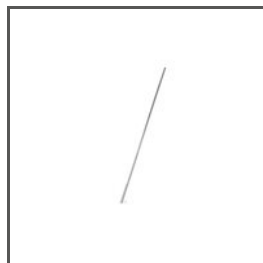
Ref. arch 1397



ROD

FI-3 1m

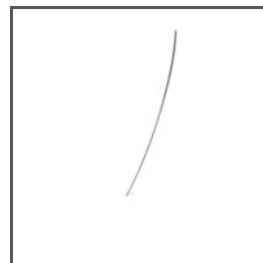
42501



ROD

100 PUSZ 1 m

42518



ROD

FI-3 53 cm

C24528N00

Ref. arch 1528



WIRE

CU FI 0,95 mm

Z70240

Ref. arch 70240



ROD

FI-3-ALU

C28196A01, C28196A07

Ref. arch 42526, 42527, 42528, 42529