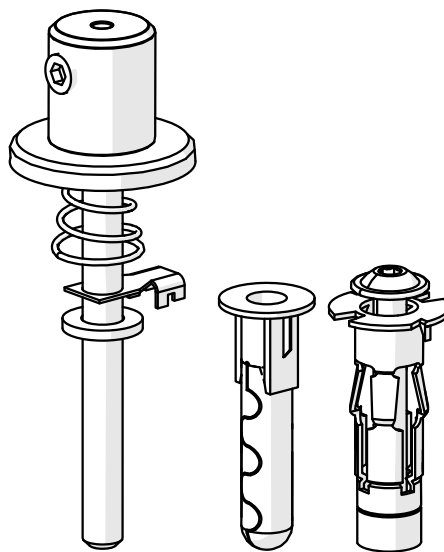
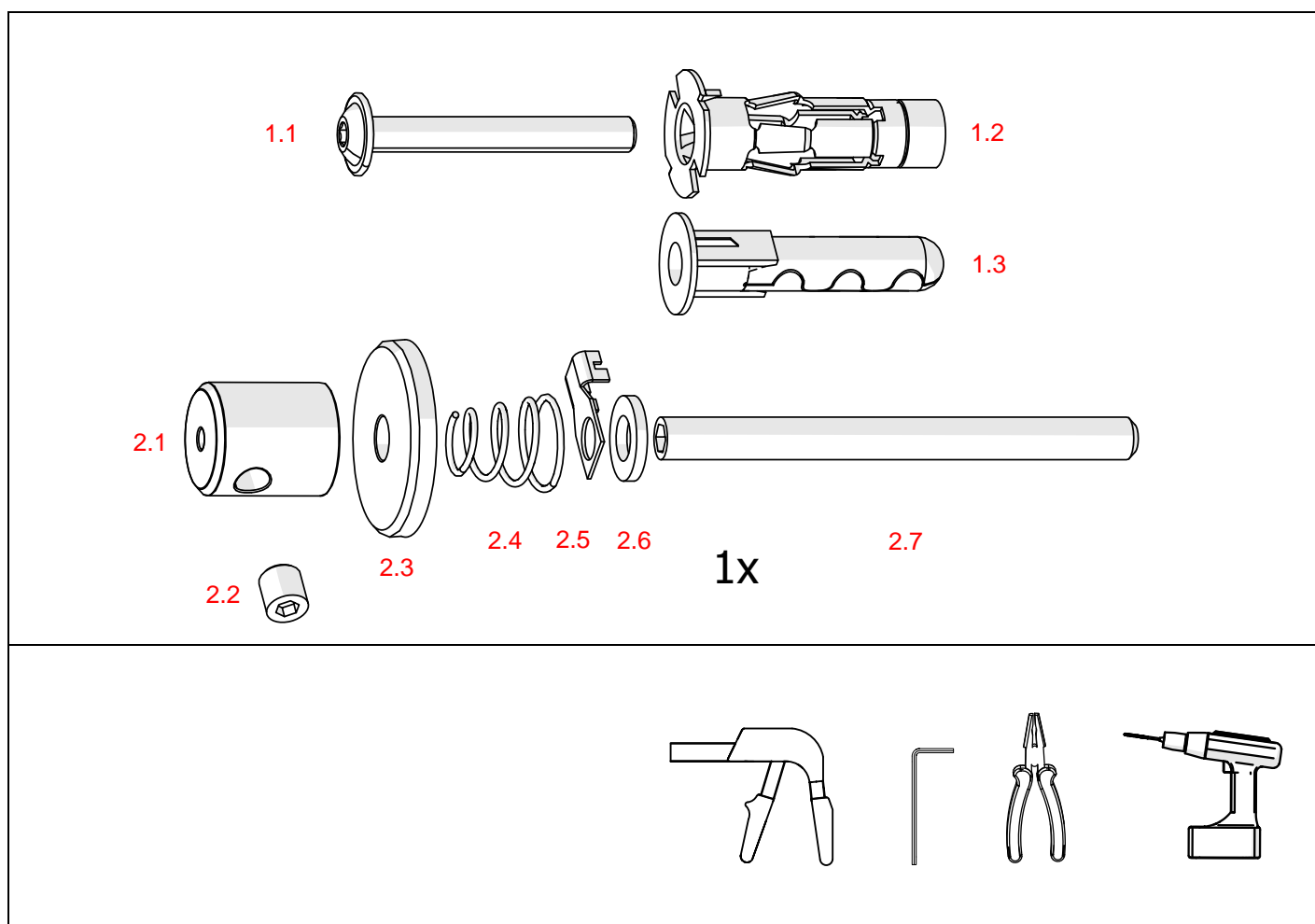


Fastener W-KGM-Z

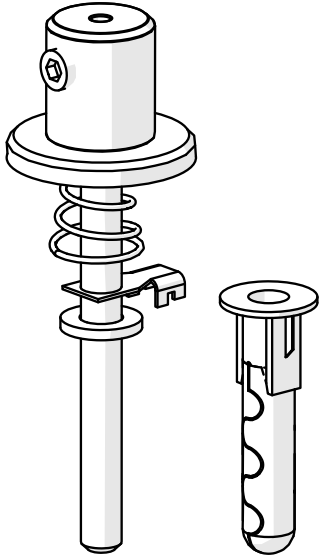




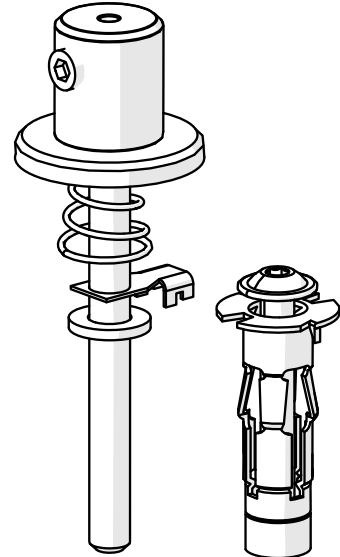
Fastener W-KGM-Z (ref. C20012)

- 1.1 Screw M6x45
- 1.2 Drywall anchor M6x37
- 1.3 Nail anchor M6x60
- 2.1 Connector conductive
- 2.2 Pressure screw M6x6
- 2.3 Fastener masking cover
- 2.4 Conical spring
- 2.5 Power connector dia. 6
- 2.6 Pad M6
- 2.7 Pressure screw M6x70

IMPORTANT: Not all possible mounting procedures are presented here. More mounting procedures and related accessories can be found at www.KlusDesign.eu. Drawings in these instructions are simplified and only approximate the actual shapes.

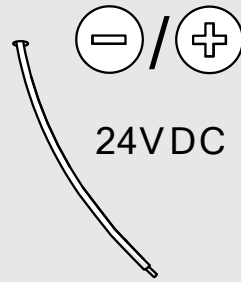


1

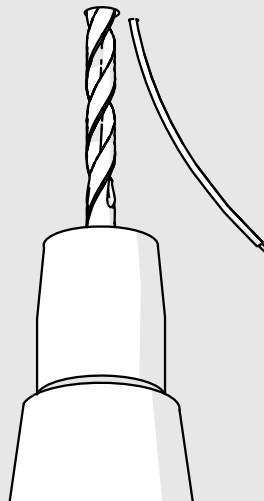
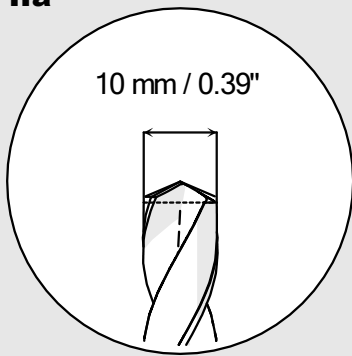


8

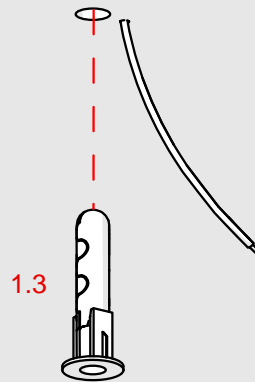
Ia



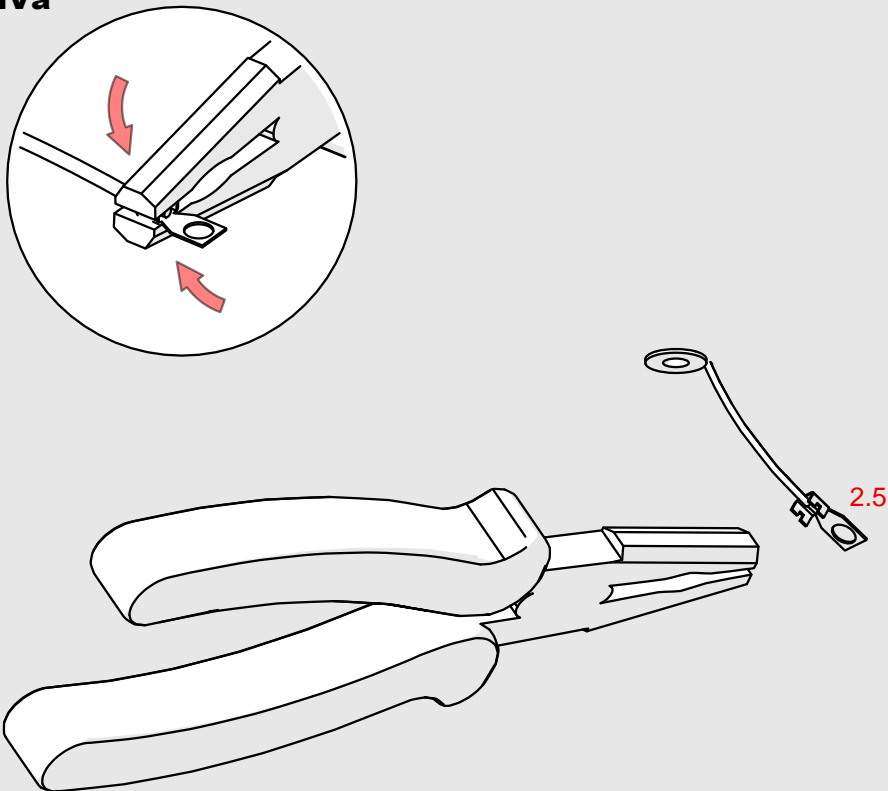
Ila



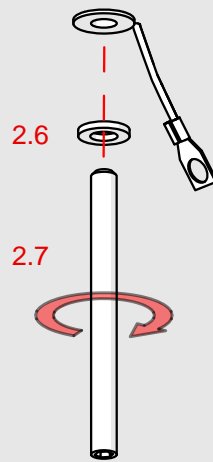
IIIa



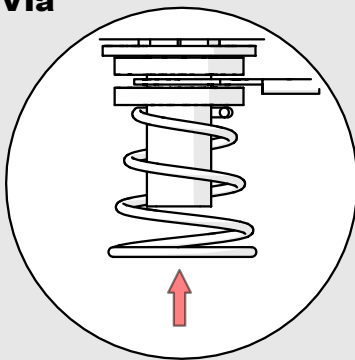
IVa



Va



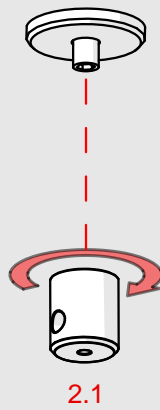
Vla



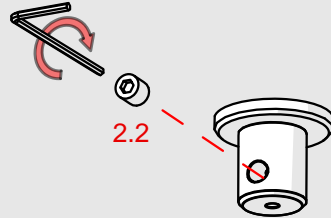
VIIa



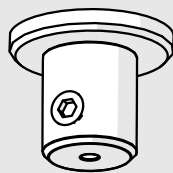
VIIIa



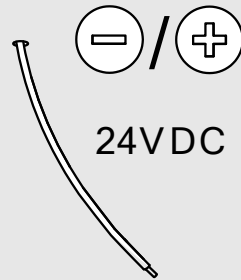
IXa



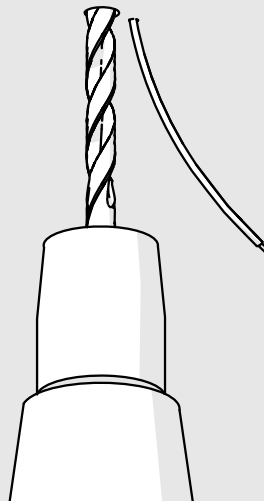
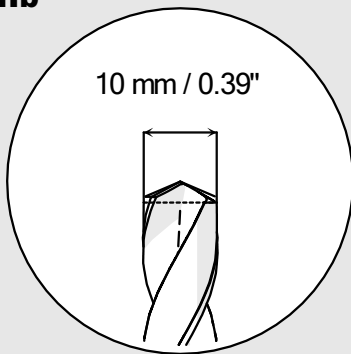
Xa



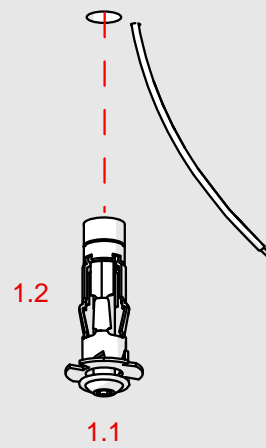
Ib



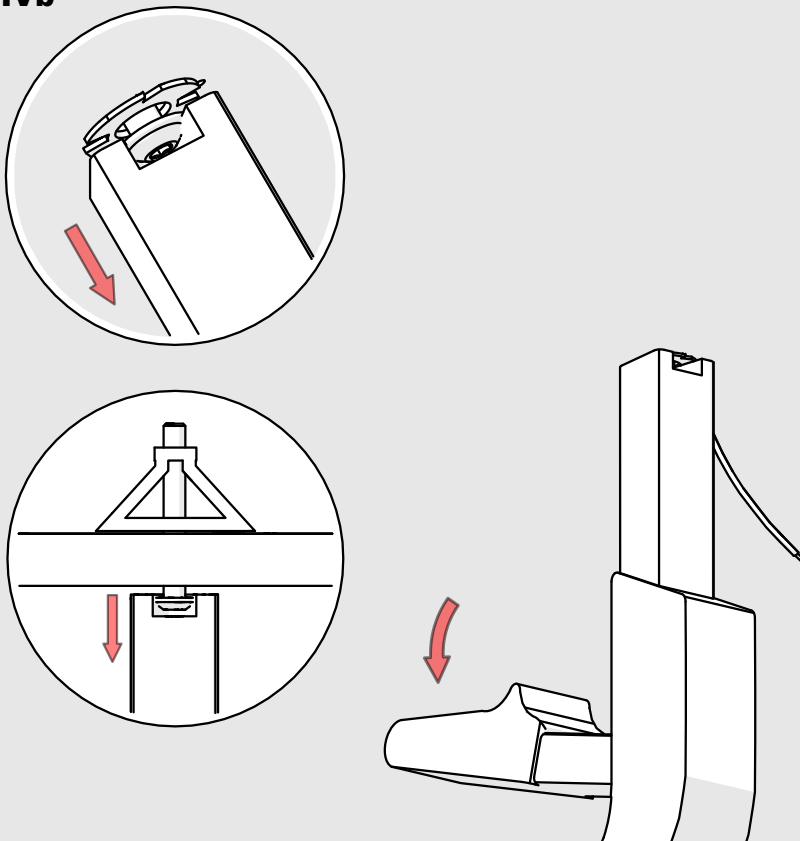
IIb



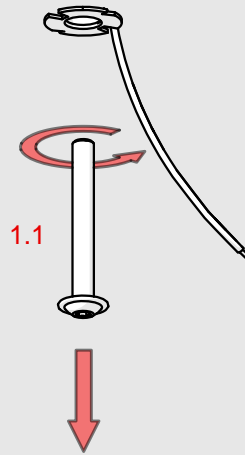
IIIb



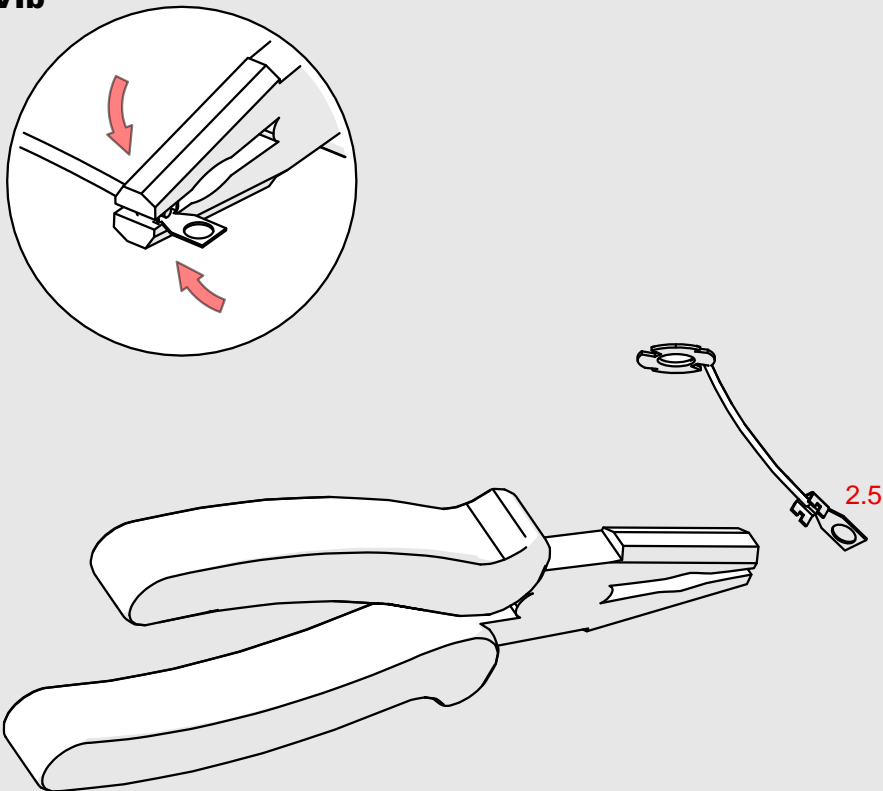
IVb



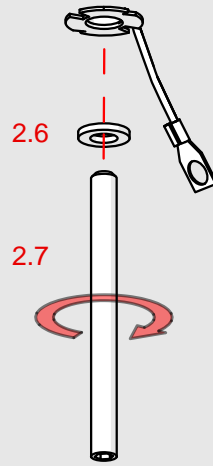
Vb



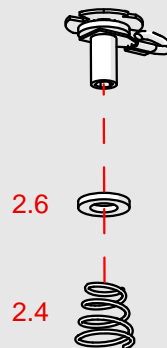
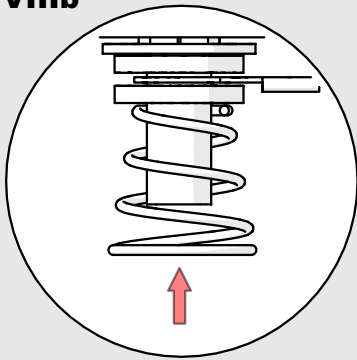
Vlb



VIIb



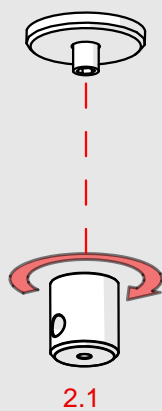
VIIIb



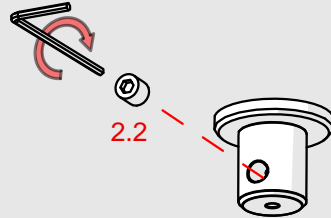
IXb



Xb



XIb



XIIb

